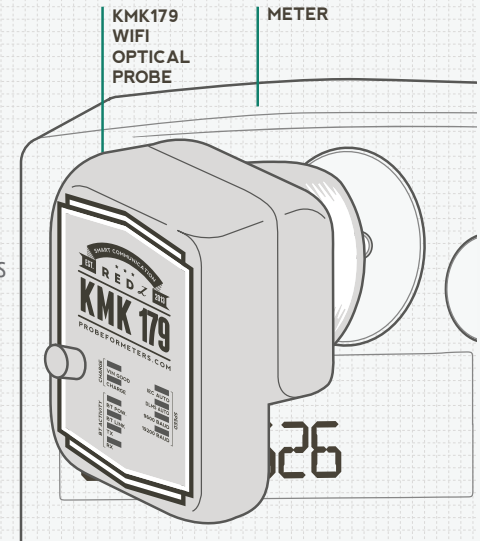


# KMK 179

REDZ KMK179 optical probe is designed in IEC 62056-21 standard and it is compatible with all brands and types of IEC meters. The probe has WiFi connection thus it can easily be used with any local or remote device with TCP/IP connectivity support.

This is a smart WiFi optical probe that can detect IEC62056-21 or DLMS / COSEM protocol and makes baud changeovers automatically. Thus it is possible to use with software that works with existing cable versions of probes and there will be no additional need for device command integration. It supports different operating modes such as command mode and firmware can be changed easily over WiFi connection.



## WIFI OPTICAL PROBE

SMART WIRELESS AUTO  
PROTOCOL DETECTION PROBE

[INFO@PROBEFORMETERS.COM](mailto:INFO@PROBEFORMETERS.COM)

[PROBEFORMETERS.COM](http://PROBEFORMETERS.COM)



SMART  
WIFI  
OPTICAL PROBE

AUTO PROTOCOL  
DETECTION



### MECHANICAL SPECIFICATIONS

Diameter:	32 mm	Body and Back Cover Material:	ABS
Width:	~ 36 mm	Transparent Parts:	Transparent Poly Carbonate
Height:	~ 55 mm	Weight:	~ 125 gr
Depth:	~ 42 mm		
Magnetic Force:	N38		

### PROBE SPECIFICATIONS

Standard:	IEC 62056-21 (former IEC 1107)	Operating Voltage:	3,3 V (Rechargeable battery powered through micro USB)
Data Communication Speed:	Max 38400 baud	Wavelength:	~ 900 nm
		Receiver Sensitivity:	Programmatically changeable on Command Mode

### BLUETOOTH SPECIFICATIONS

Standard:	802.11a/b/g/n, dual band Output Power, +23 dBm Power Savings Mode Wi-Fi Protected Setup Security: WPA2, AES	LEDs:	VIN Good, Charge, BT Power, BT Link, TX, RX, IEC Auto, DLMS Auto, Mode 3, Mode 4
Operating Modes:	<ul style="list-style-type: none"> <li>IEC 62056-21 Auto Detection,</li> <li>DLMS/Cosem Auto Detection,</li> <li>9600 baud 8N1 fixed,</li> <li>Command mode, etc. Operating modes can be changed instantly by easily upload firmware over Bluetooth connection</li> </ul>	Battery:	1200 mAh rechargeable battery powered. Battery can be charged over Micro USB or USB Type C Connector based on device version
Operating Hours:	> 10 hours (more than 2500 nonstop readings)	Operating Distance:	Range up to 250m Outdoors (802.11n), 35m Indoors